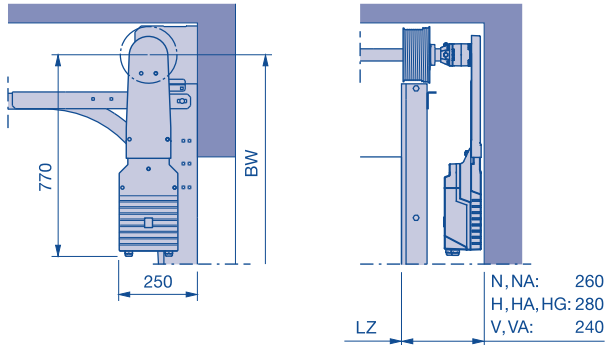


Shaft Operator WA 300

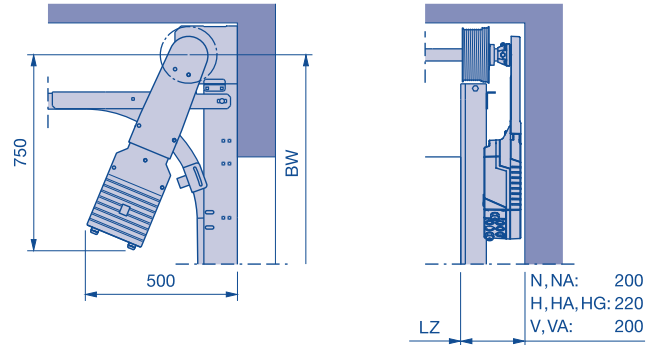
Shaft operator WA 300 for track applications N, NA, H, HA, HG, V and VA

As shown in the figure, the operator can be fitted either left or right, viewed from the inside.

Fitting example ⑧ right



Fitting example ⑨ right

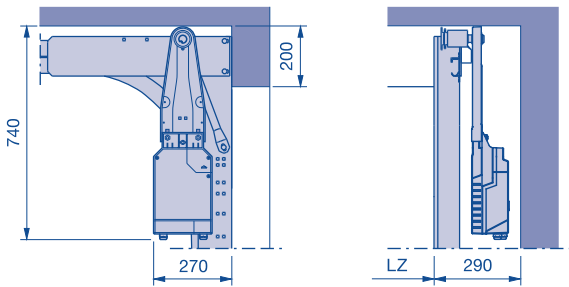


Shaft operator WA 300 for track application L

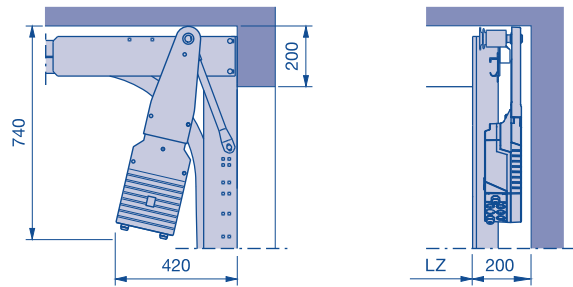
As shown in the figure, the operator can be fitted either left or right, viewed from the inside.

In fitting example 9: on the side opposite the door lock.

Fitting example ⑧ right



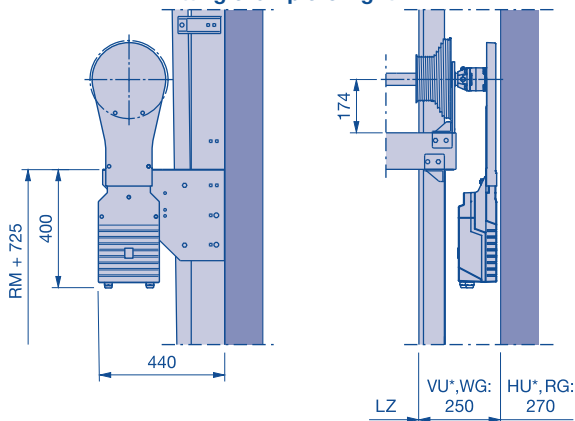
Fitting example ⑨ right



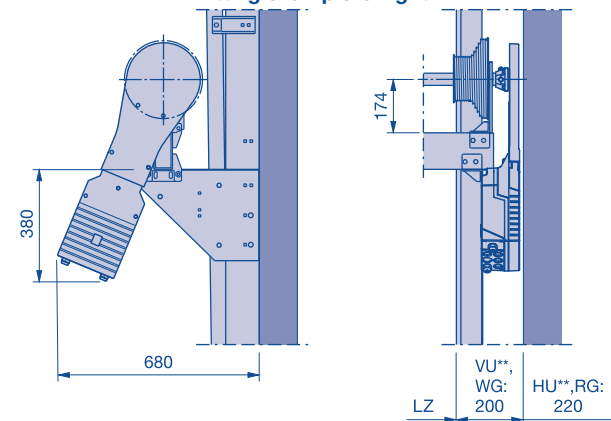
Shaft operator WA 300 for track applications HU, RG, VU and WG

As shown in the figure, the operator can be fitted either left or right, viewed from the inside.

Fitting example ⑧ right



Fitting example ⑨ right



* In the door range $LZ \leq 3000$ and $RM \leq 3500$ a sideroom from 200 is possible

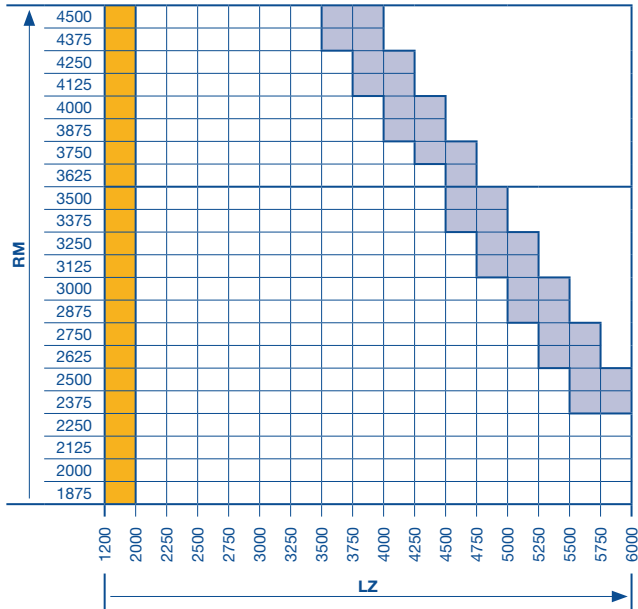
LZ Clear frame dimensions
BW Position of shaft support

** In the door range $LZ \leq 3000$ and $RM \leq 3500$ the track applications VU and HU are not possible

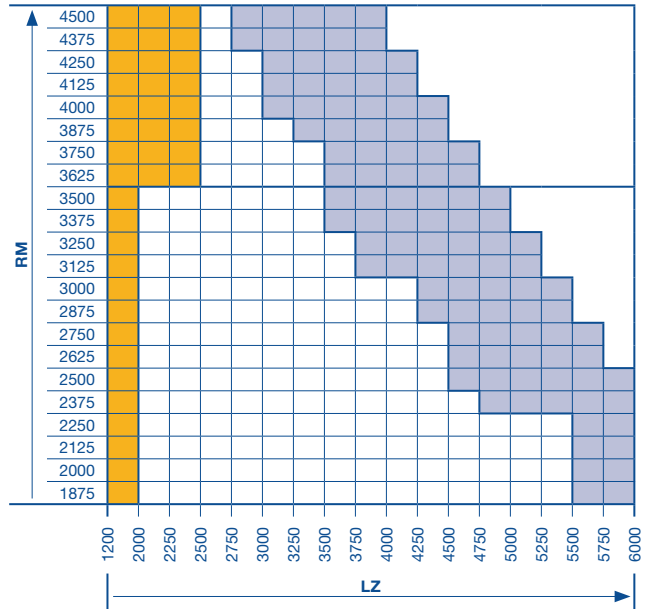
Shaft Operator WA 300

Shaft operator WA 300 for track applications N, NA and L

Without wicket door

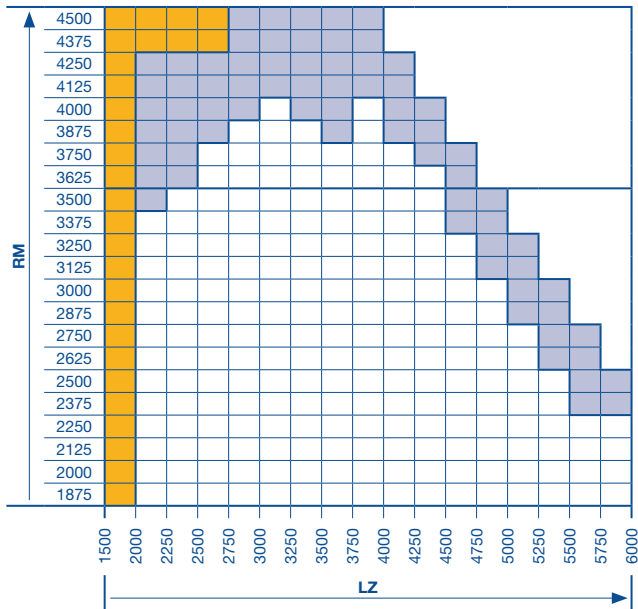


With wicket door

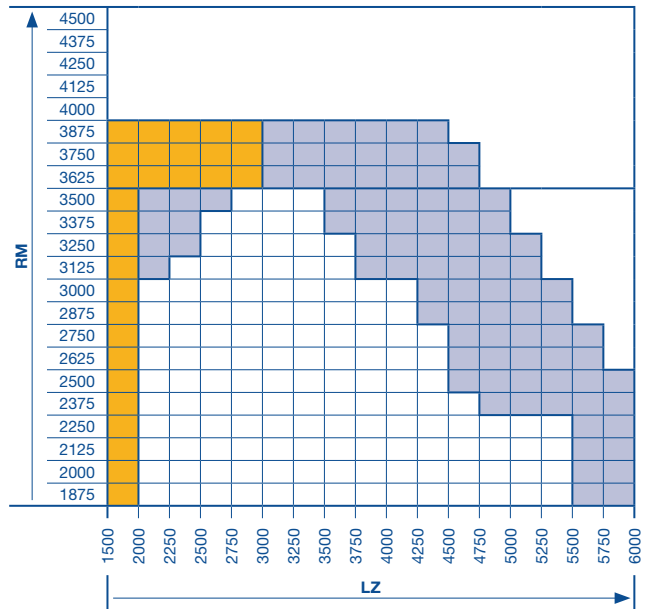


Shaft operator WA 300 for track applications H, HA, HG, HU, RG, V, VA, VU and WG

Without wicket door



With wicket door



- WA 300 possible.
- WA 300 possible, versions with glazing S3, LB and P on request.
- WA 300 on request.

LZ Clear frame dimensions
RM Grid height

Dimensions in mm