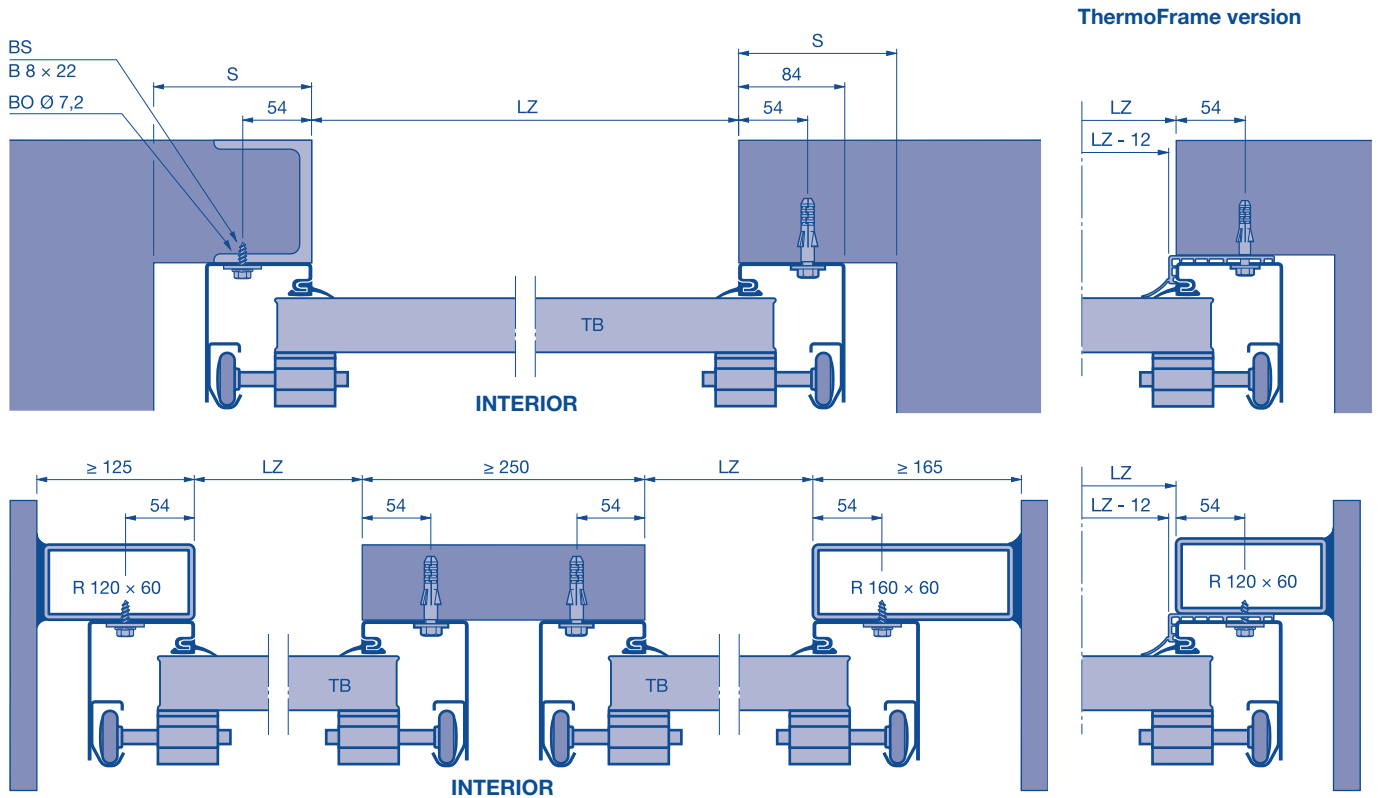


Sideroom

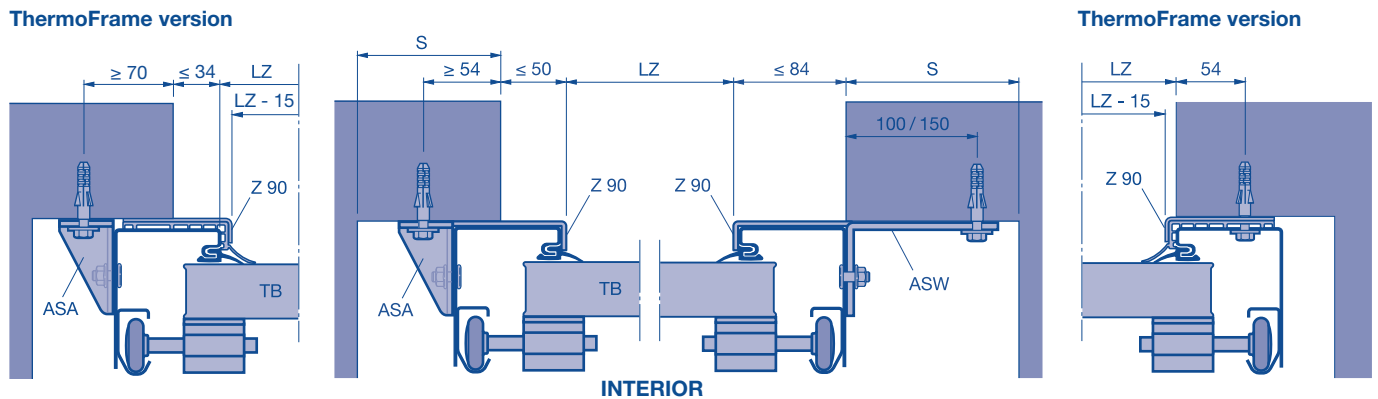
Required sideroom S

Track application / designation	S	Track application / designation	S
N, NA, ND, NH, NS, GD, V, VA, VU, WG	125	Hand pulley	N, NA, ND, NH, NS, GD
H, HA, HD, HG, HU, RD, RG	150		H, HA, HD, HG, HU, RD, RG
L, LD	125		V, VA, VU, WG
		Chain hoist	Page 64
		Shaft operators	Pages 67 - 73

Sideroom



Sideroom with frame covering



LZ Clear frame dimensions
BO Hole
HS Self-tapping screw

TB Door leaf
R Tube
ASA Screw-on anchor 70 x 40

ASW Screw-on bracket 70 x 120 / 170