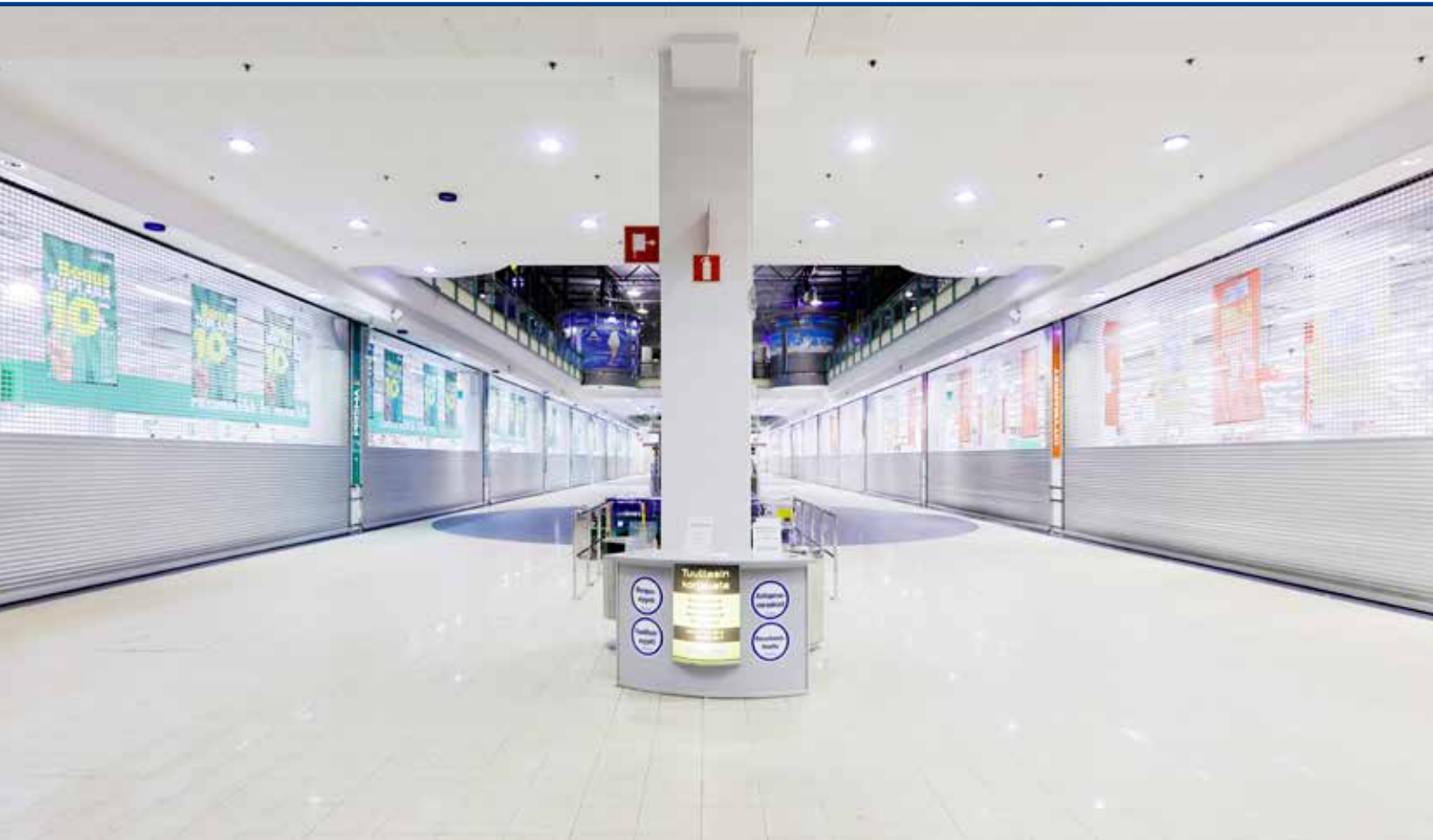




Mesvac Rulosec[®] **security shutters and roller shutter doors**

Mesvac Rulosec® security shutters and roller shutter doors



Multifunctional Rulosec® burglary protection

Mesvac Rulosec® security shutters are suitable for shop doors and flow control in shopping centers, cold car park doors, burglary protection for windows as well as for closing shops, loading docks, waste shelters, rowhouse carports and service counters. The products are also used for various special applications, e.g. closure of cabinets and pallet racks and doors and protective walls for automatic warehouses.



Burglary protection classes

Door solutions can be classified according to burglary protection. Mesvac Rulosec® security shutters are tested for classes 2 and 3. Class 2 roller shutter doors are most commonly used in commercial businesses, for example in markets and specialty shops in shopping centers, to prevent burglaries. The even more robust class 3 roller shutter doors are suitable for higher risk category locations such as pharmacies and liquor stores.

Mesvac security shutters have been tested according to the EN1627 standard. Because of product development and continuous testing the security protection classes of Rulosec® security shutters are updated on our website www.mesvac.fi.



CE mark

According to Construction Products Regulation, retractable Rulosec security shutters and roller shutter doors are included in CE-marked products. Mesvac retractable security shutters and doors are tested according to EN 13241-1: 2003 + A1 : 2011 standards. The tests are carried out by an accredited testing facility and a declaration of performance on all of our products is written up according to which the products are CE marked.



Wall and roof boxes

Mesvac security shutters can be equipped with an elegant wall or ceiling box to cover the shutter door. The box is aluminum and the standard color natural anodized aluminium as well as RAL 9010 white. The boxes can also be powder coated in the desired RAL shade. The boxes are custom-made in our production plant.



Slat models and accessories

Slat models



Slat 50 solid 2500, profiles 50 mm extruded aluminum suitable for outdoor use.



Slat 50 large hole 2560, profiles 50 mm extruded aluminum, die cut hole 60x34 mm, suitable for outdoor use.



Slat 50 7 mm hole 2570, profiles 50 mm extruded aluminum, round die cut.



Slat 65 solid 2600, profiles 65 mm extruded aluminum, round die cut.



Slat 65 large hole 2660, profiles 65 mm extruded aluminum, die cut hole hole 7 mm 60x44 mm.



Slat 65 hole 7mm 2670, profiles 65 mm extruded aluminum, die cut round hole 7 mm.



bottom slat, strengthened lower profile stiffens excellently profile mat.

Impulse devices



3 button transmitter



2 button transmitter



Key switch, possibility also embedded installation



Rotary switch



Rocker switch, also available embedded model

Remote control



hand-held

Side guide rail and bottom slat locks

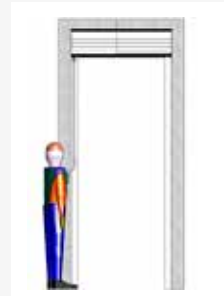


Side guide rail lock



Bottom slat lock

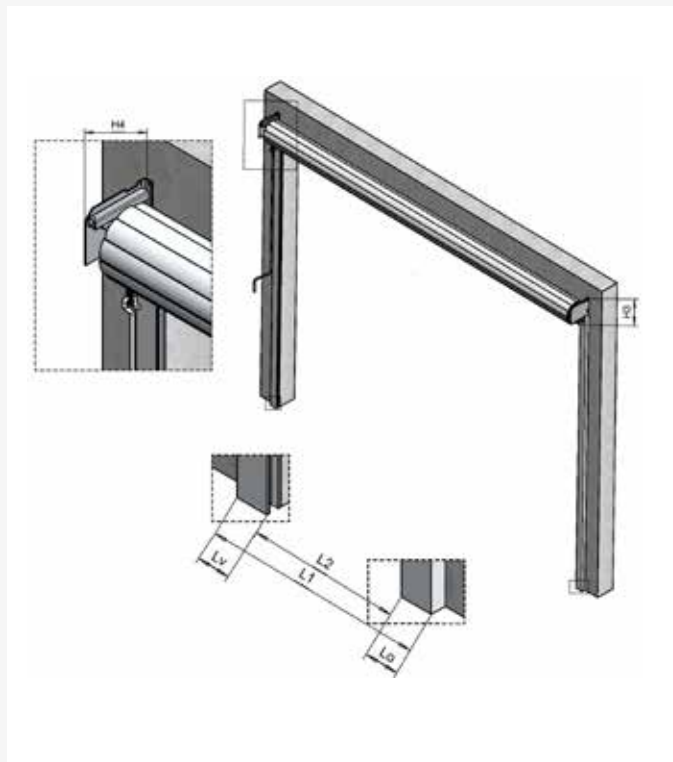
Manual use



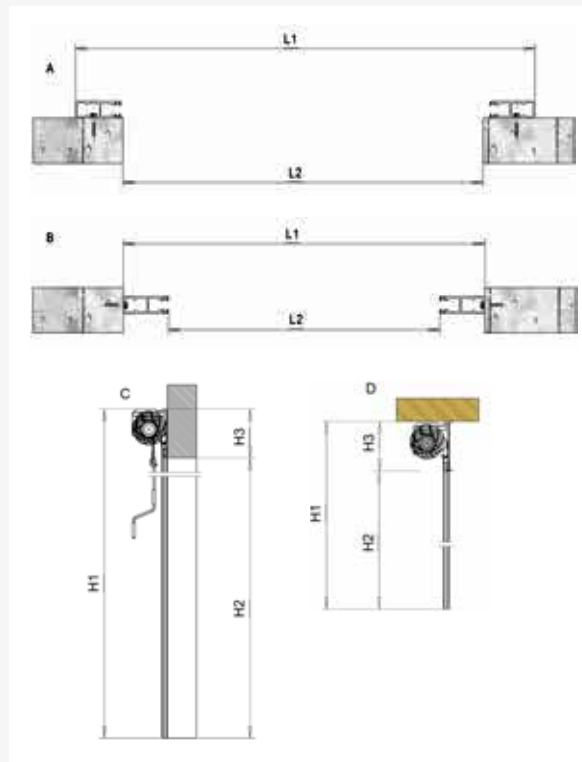
Manual use possibility in case of power failure (emergency use)

Dimensions and installation

Basic sizing



Installation methods



Head room table

Space requirement (H3) rolled up (65 mm high slats)

| Height H/mm | Width L/mm* | | | | |
|-------------|-------------|-------------|-------------|-------------|-------------|
| | 1 000–3 000 | 3 000–4 000 | 4 000–5 000 | 5 000–6 000 | 6 000–7 000 |
| 1 000–2 000 | 355 | 355 | 355 | 355 | 375 |
| 2 000–3 000 | 355 | 355 | 365 | 375 | 410 x |
| 3 000–4 000 | 355 | 355 | 365 | 420 | 420 x |
| 4 000–5 000 | 355 | 355 | 375 | 430 x | 430 x |

Space requirement (H3) rolled up (50 mm high slats)

| Height H/mm | Width L/mm* | | | | |
|-------------|-------------|-------------|-------------|-------------|-------------|
| | 1 000–3 000 | 3 000–4 000 | 4 000–5 000 | 5 000–6 000 | 6 000–7 000 |
| 1 000–2 000 | 355 | 355 | 355 | 355 | 410 x |
| 2 000–3 000 | 355 | 355 | 355 | 410 x | 410 x |
| 3 000–4 000 | 370 | 370 | 410 | 430 x | 430 x |
| 4 000–5 000 | 380 | 430 x | 440 x | 450 x | 450 x |

x=100 mm side guide rail *Widths 7 000–11 500 mm available on special order.



Founded in 1977, Mesvac Oy is one of the market-leading suppliers of industrial doors, fire doors, garage doors, loading technology and related services in Finland. We employ nearly 200 people.

We are part of the German Hörmann Group which is Europe's leading supplier of doors. Since the company's foundation in 1935, Hörmann Group has produced and delivered more than 20 million doors worldwide. More than 6 000 employees in 40 specialised factories in Europe, North America and Asia develop and produce high-quality doors, hinged doors, frames and operators for use in private and commercial properties.

Our customer oriented operations are guided by a management program according to EN ISO 9001:2015 -standard. We deliver sustainable solutions starting from project planning to maintenance and service and offer the widest product range in Finland.

Our head office, production site and warehouse are located in Kirkkonummi, Jorvas, Finland.