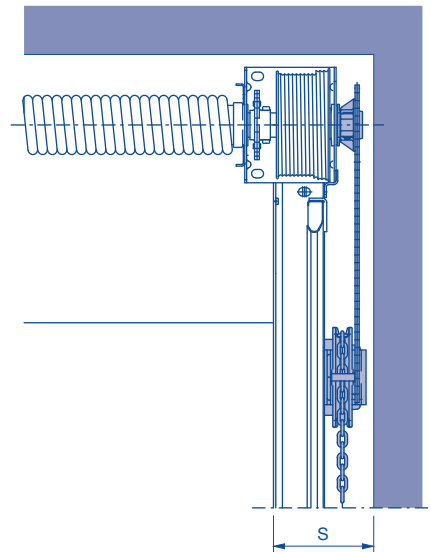
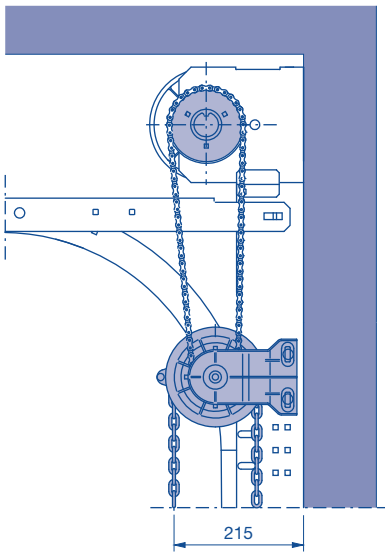


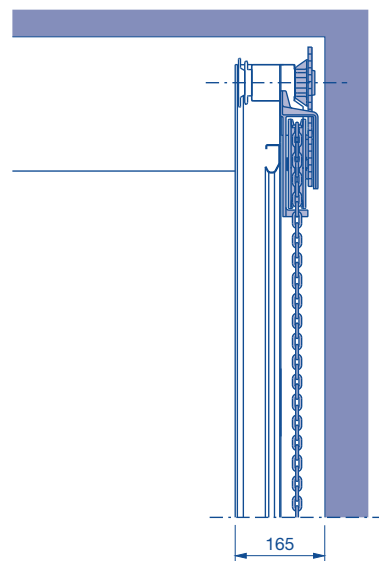
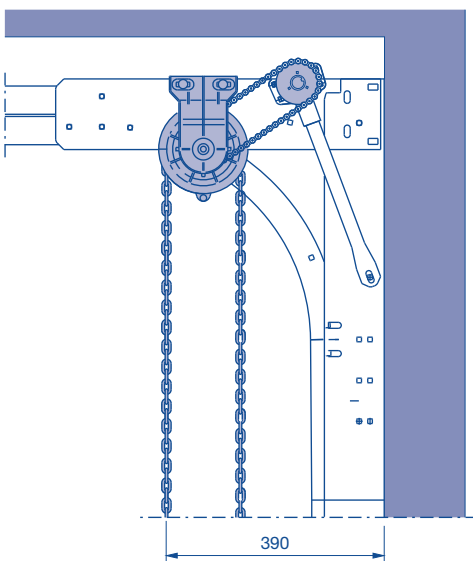
Chain Hoist

Track applications N, NA, ND, NH, NS, GD, H, HA, HD, HG, HU, RD, RG, VU, WG



Track application	N	NA	ND	NH	NS	GD	H	HA	HD	HG	HU	RD	RG	VU	WG
S	165	165	165	165	165	165	185	185	185	185	185	185	185	165	165

Track applications L and LD

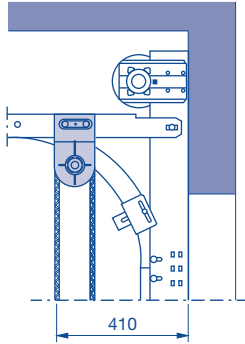


Hand Pulley

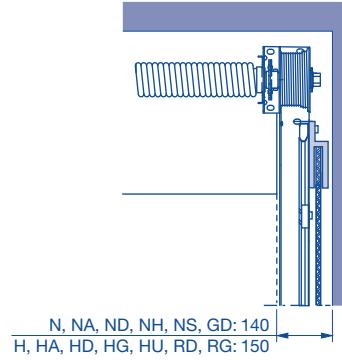
With rope or link steel chain

Track applications up to 20 m² door surface

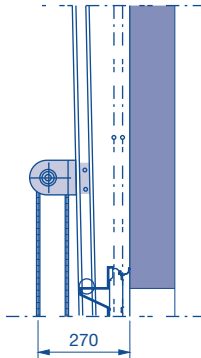
With rope or link steel chain



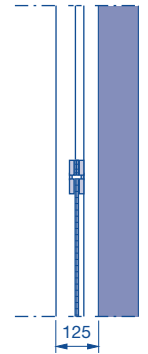
N, NA, ND, NH, NS, GD, H, HA, HD, HG, HU, RD, RG



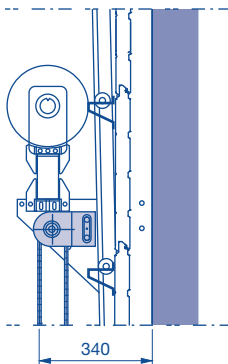
With rope or link steel chain



V, VA



With rope or link steel chain



VU, WG

