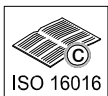
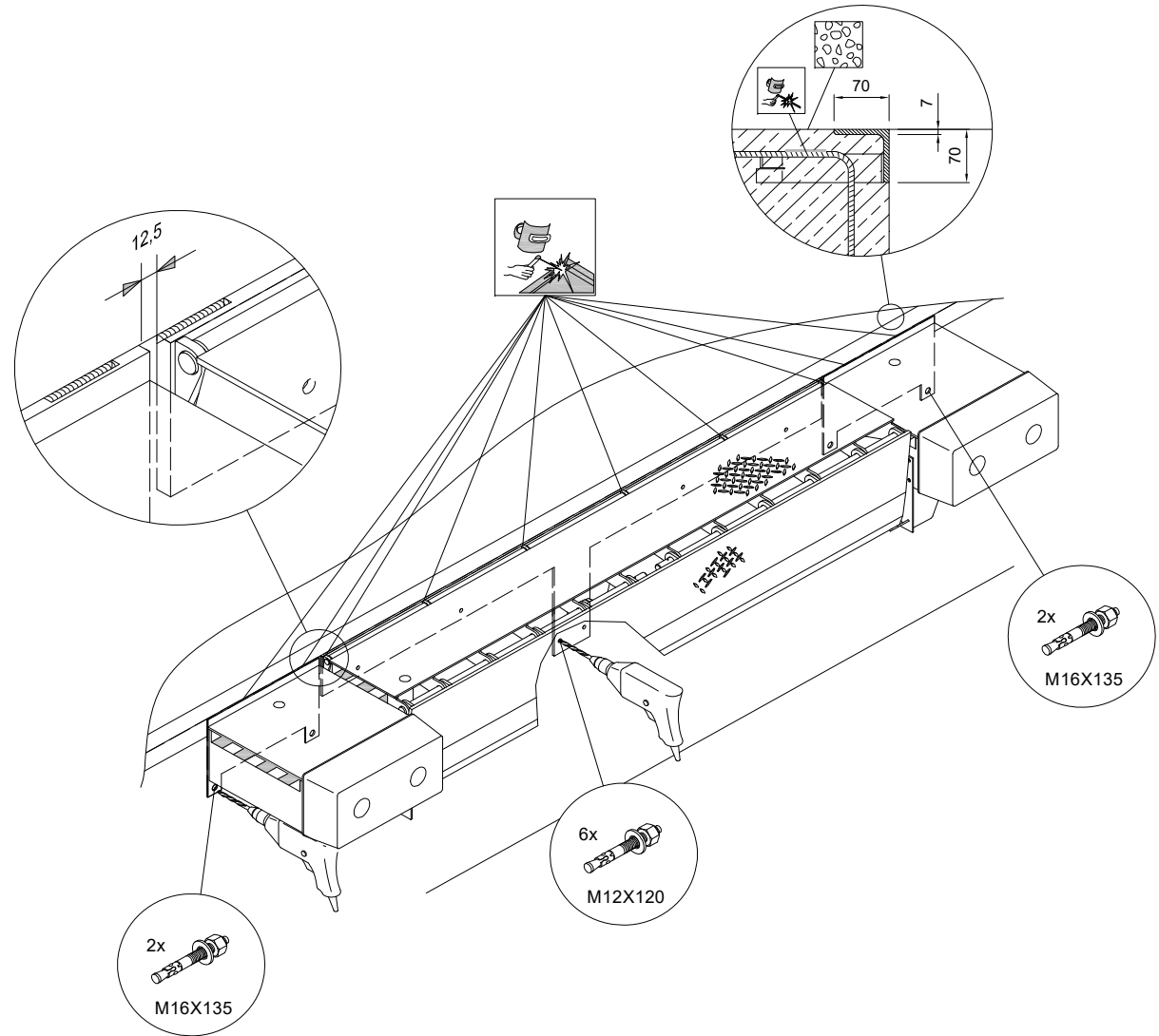
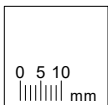


$\cup$  =  
 $F_1$  =  
 $F_2$  =



436-1007



$A \geq C20/25$   
 $B \geq C25/30$

**HÖRMANN**

Kuormaussilta MRS-H 2000mm 60kN